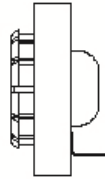




MALLORY SONALERT PRODUCTS, INC.

# Product APPLICATION Guide

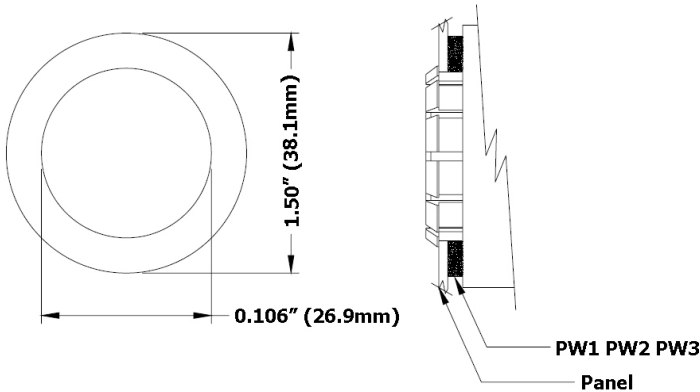


## Snap-in Panel Mount

### Snap-in Panel Mount- Continuous Tone

Non-RoHS Part No.	RoHS Part No.	cUL	Min Sound Level dBa (2 ft)	Freq. (Hz)	Operating Voltage	Max Current (mA)	Size Dia x Len (in)	Termination Type
SNP2	SNP2R		55 - 68	2900	1-5 Vdc	3 - 12	1.66 x 0.84	1/8" Terms
SNP428	SNP428R	■	64 - 76	2900	4-28 Vdc	3 - 16	1.66 x 0.84	1/8" Terms
SNP428F	SNP428FR		52 - 68	2900	4-28 Vdc	0.5 - 3	1.66 x 0.84	1/8" Terms

**Note:** Use optional compression washer to firmly seat the alarm into the panel:



## PW1, PW2, PW3 Compression Washers

Part Number	Part Thickness	Panel Thickness
PW1	.063"	11-12GA (.125-.109")
PW2	.125"	13-17GA (.093-.056")
PW3	.187"	18-22GA (.050-.031")

Call 317-612-1000 or Visit [www.mallory-sonalert.com](http://www.mallory-sonalert.com) for More Details